

SC20MPE

Spinel 2MP Long-Range Weatherproof Serial JPEG Color Camera

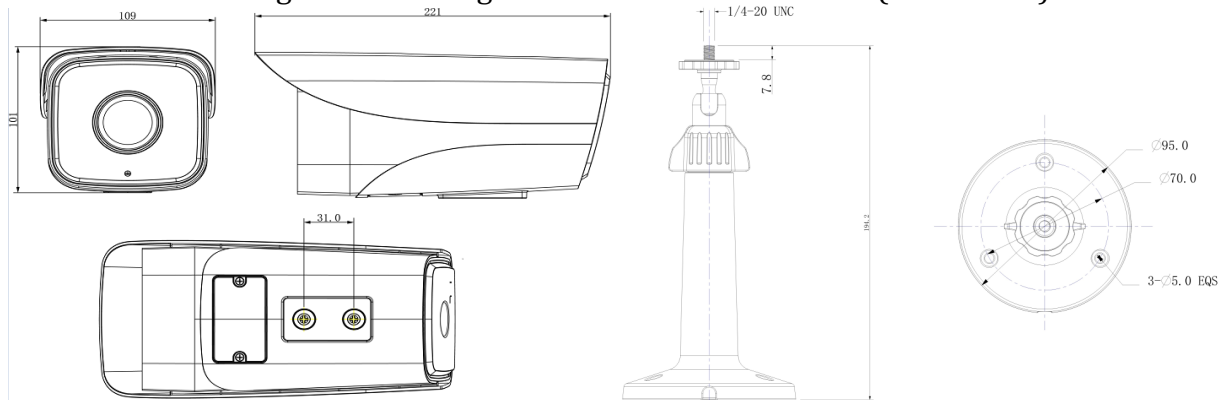


Spinel SC20MPE Camera is a high-end reliable serial camera which can be attached to any host system that requires a JPEG compressed still camera for embedded imaging applications. The camera uses a **1/2.7" CMOS** color image sensor along with a JPEG compression chip that provides a low powered camera system. The camera has an on-board serial interface (TTL/RS232/RS485) that is ideal for a direct connection to any host microcontroller UART or a PC system COM port.

The SC20MPE camera is capable of outputting **2MP JPEG format still images** only.

The SC20MPE camera has the best performance in the market through smart illumination feature (the LED's only turn on when it's needed), long IR range, low **LUX 0.005**, **waterproof IP67** and **low temperature rated**, OSD feature, wide voltage, color night image capturing available. PC test tool and sample code are provided for easy testing and programming into microcontrollers.

Below is the drawing of the housing and mount used on camera (unit in mm).



For more information relating to serial cameras, please contact us, via email at info@spinelelectronics.com
Or by phone at 800-837-5859; or visit our Website: www.spinelelectronics.com

SC20MPE Features

Long IR range up to 50 meters (164ft), **low LUX 0.005**

2 MP full HD quality still images for both day and night time

Auto IR illumination, waterproof IP67 and low temperature rated

Specifications

Image Device	1/2.7" CMOS
Serial Output	TTL/RS232/RS485
Pixels	2 Mega Pixels
Image Resolution	4:3 images: 1600x1200, 1600x1024, 1280x1024, 1280x960, 1280x800, 1024x768, 800x600, 640x480 16:9 images: 1920x1280, 1280x720, 1600x900, 1440x810, 1366x768, 1024x576, 960x540, 800x450, 640x360, 480x270
Image Compression	JPEG
Baud Rate	115200bps (default), 57600bps, 38400bps, 19200bps, 9600bps
Focal Length	6 mm (default), 3.6/8/12/16/25mm available upon request
Angel of View	60 degree (default), 90/45/30/15/7 degree available
Minimum Illumination	0.005LUX
IR Illuminator	Default 4pcs 850nm IR LED arrays, optional 4pcs white light LED arrays for color night images (turns on automatically 3 seconds prior to image capturing, stays ON for 3 seconds during capturing and turns off automatically after)
IR-Cut filter Switcher	Automatic built-in for daytime true color and night time black and white
Power Supply	Wide voltage 9-28V DC, typical: 12V DC
Current Consumption	Typical<120mA, Max~900mA
Night Image	Default black and white; Optional color when white light LED's are supplied
Night Vision Range	Up to 50 meters (164ft)
Protocol	Spinel SXH Protocol V3.0
Exposure	Auto
White Balance	Auto
Auto Gain Control	Auto
Cable Length	Default 2 meters (6.5ft), Optional 4 meters (13ft) or others per request
Wiring Configuration	Red: 12V, Black: GND, White: TX or A, Yellow: RX or B
Connector	Default 4 bare wires, other connectors per request
Waterproof	IP67

Environmental

Operating Temp.	-40°F~180°F (-40°C~+85°C)
Storage Temp.	-58°F~194°F (-45°C~+90°C)
Dimension in Millimeters	109mm (wide) x101mm (height) x 221mm (depth)
Dimension in inches	4.29 Inch (wide) x 3.97 inch (height) x 8.7 inch (depth)
Net Weight (with mount)	Approx. 800 Grams or 1lbs 8oz

For more information relating to serial cameras, please contact us, via email at info@spinelelectronics.com
Or by phone at 800-837-5859; or visit our Website: www.spinelelectronics.com