

Model No.: SM110W

(Wall/Ceiling Mount Bracket)



Features

Material Aluminum

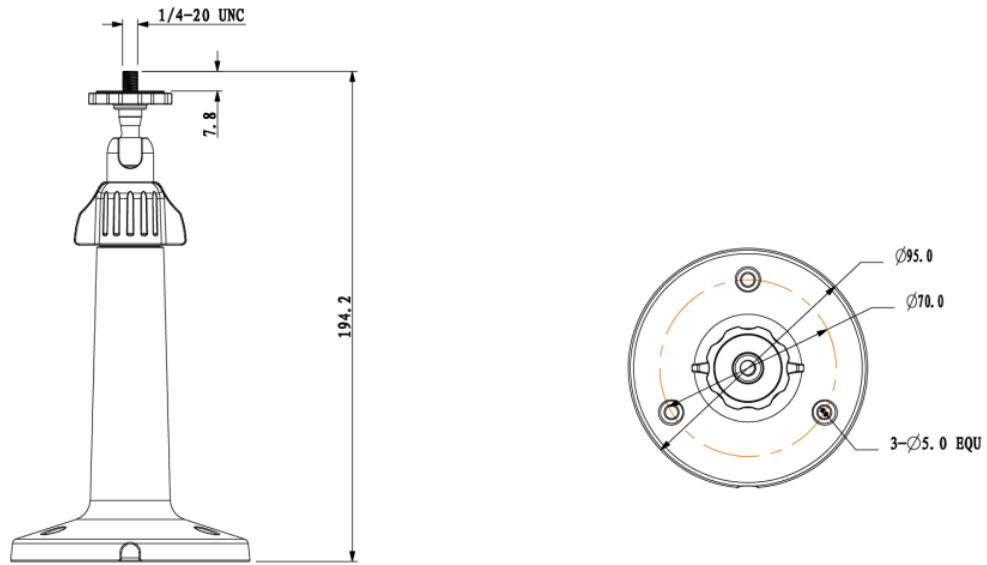
360° swivel and 90° tilt

Wall Mount/Plane Mount/Ceiling Mount Bracket

Specifications

Model	SM110W
Material	Aluminum
Dimension (W x H x D)	φ95mmx 195mm
Pipe Thread	1/4"-20 UNC
Operating Temperature	-40°C~60°C (-40° F to 140° F)
Humidity	0~90% RH
Load Bearing	1.0 kg (2.20 lbs)
Weight	0.18 kg (0.40lbs)
Color	White

Dimensions (mm)



Application: SC20MPE

